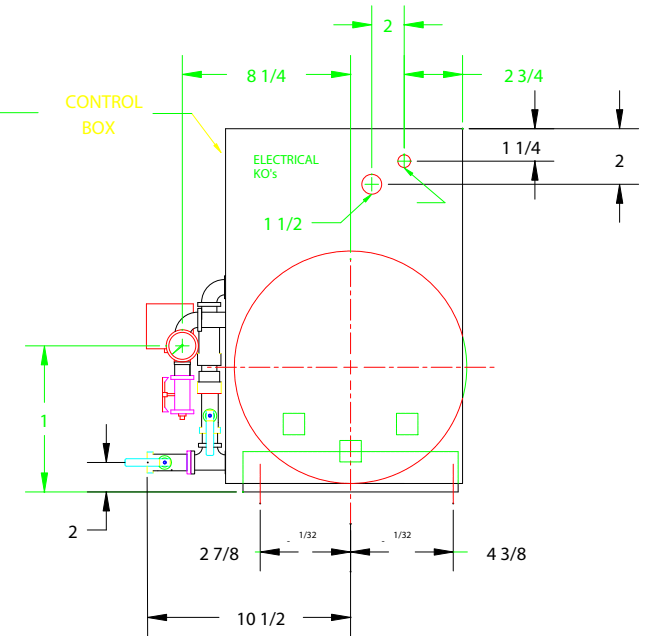
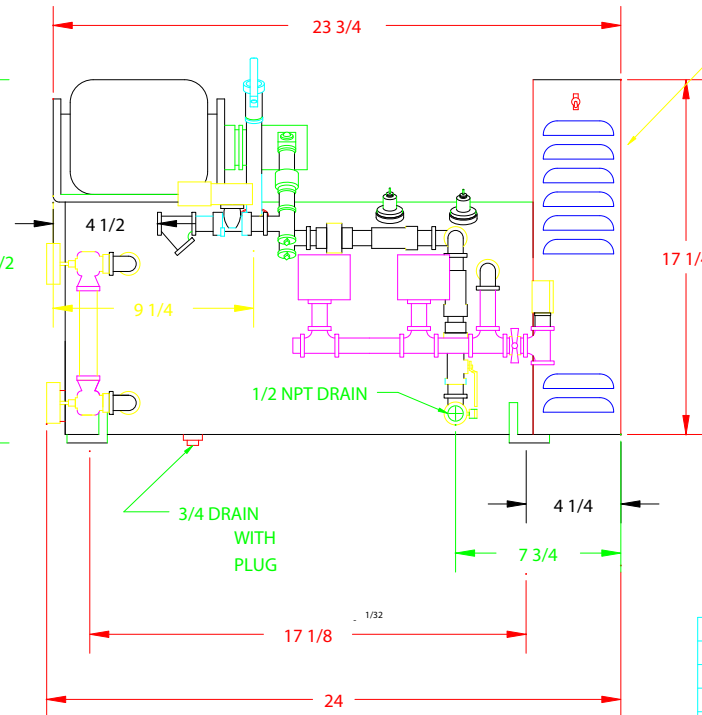
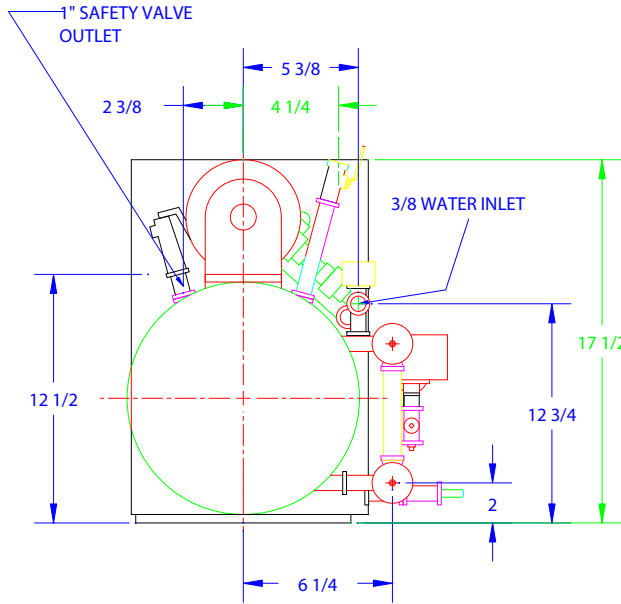
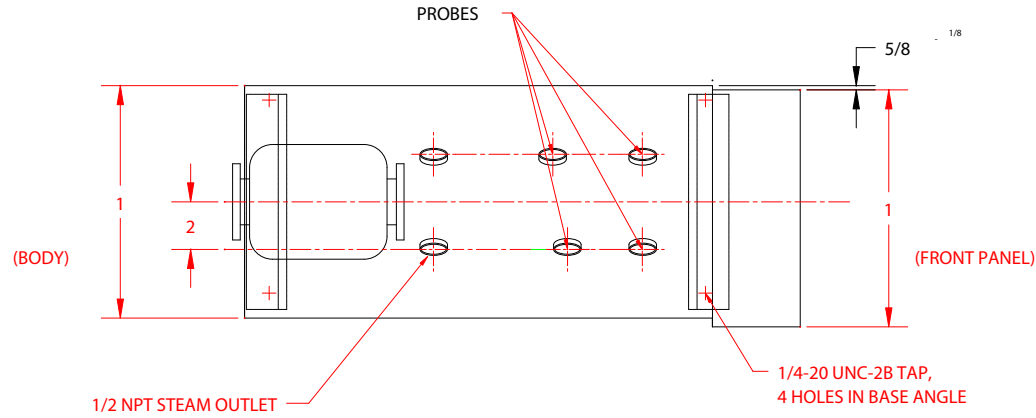
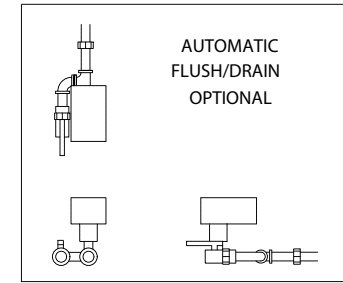


NOTES:

1. MOTOR & SOLENOID-120 VOLT, 50/60 HZ SINGLE PHASE.
2. HEATERS-240 VOLT, THREE PHASE, 20 KW
3. REFERENCE SOURCE- ELECTRO-STEAM GENERATOR CORP., MODEL #LB-20AS
4. GENERATOR MUST BE U.L. LISTED & C.S.A. CERTIFIED.
5. CERTIFICATION OF COMPLIANCE WITH THE CURRENT EDITION OF SECTION I OF THE ASME POWER BOILER CODE & ADDENDA, PART PMB, IS REQUIRED



DRAWN BY		J. KIM	DATE	5/98	ELECTRO-STEAM GENERATOR CORP. 1000 Bernard Street, Alexandria, Virginia 22314-1299 DRAWING TITLE LB 20-30- H V BLOCK NO CABINET	
CHECKED						
ENGINEER						
APPROVED		RALPH ASPLING				
SIZE	AUTOCAD R14 FILE	DWG. NO.	PRI-6513B		REV.	-
SCALE:	N/A			SHEET:	1 OF 1	