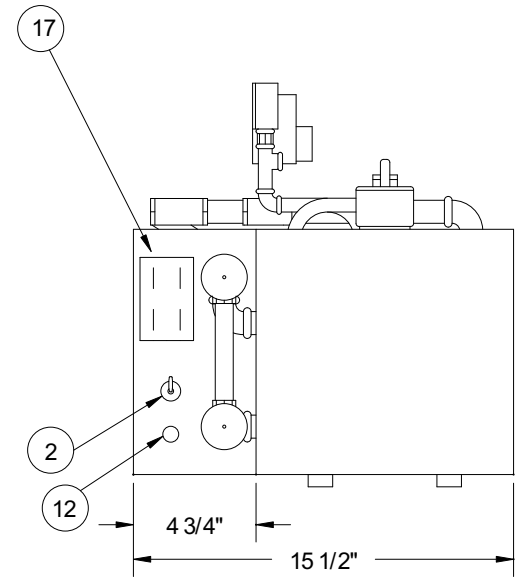


- 1. WATER INLET STRAINER
- 2. ON-OFF SWITCH
- 3. WATER LEVEL CONTROL
- 4. WATER GAGE GLASS
- 5. 3/8" WATER INLET SOLENOID
- 6. STEAM OUTLET 1/2"
- 7. DRAIN VALVE 3/4"
- 8. PRESSURE CONTROLS
- 9. 1/2" VACUUM RELIEF
- 10. SAFETY VALVE 3/4"
- 11. STEAM GAGE
- 12. 11 AMP FUSE
- 13. PRESSURE CONTROL SAFETY
- 14. AUTOMATIC FLUSH & DRAIN (OPTIONAL) AND 5 P.S.I. PRESSURE CONTROL
- 15. CHECK VALVES
- 16. HEATER COVER
- 17. ACCESSORY POWER W/ 8 AMP FUSE
- 18. MOTOR (HIGH PRESSURE UNIT ONLY)



REVISIONS				DATE
DATE	DESCRIPTION	DRAWN BY	STEPHEN J	
		CHECKED		
		ENGINEER		
		APPROVED	RALPH ASPLING	

<b>ELECTRO-STEAM GENERATOR CORP.</b>			
<small>1000 Bernard Street, Alexandria, Virginia 22314-1299</small>			
DRAWING TITLE			
<b>INSTALLATION DATA</b>			
<b>LB-5-10 SPACE SAVER</b>			
SIZE	AUTOCAD R14 FILE	DWG NO.	REV.
5 0 0 6 5		PRI-6510-A	-