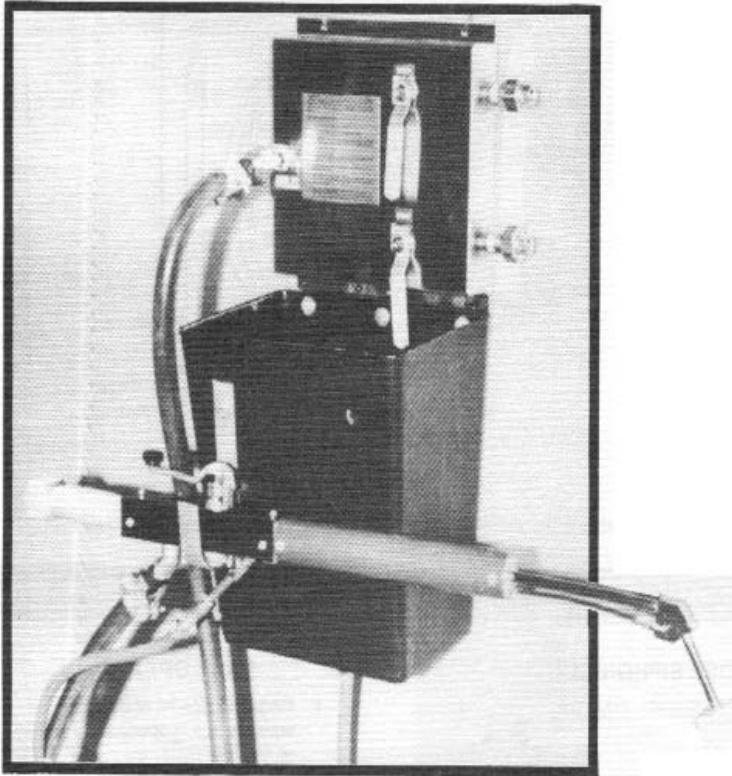




STEAM CLEANING STATION MIXER-MANIFOLD SYSTEM For Cleaning with Central Steam



WALL MOUNTED PACKAGE

Installs Easily

SIMPLE VALVE ADJUSTMENTS PROVIDE:

- **Dry Steam**
for every task
- **Steam and Detergent**
adjustable to desired proportions
- **Hot or Cold Water Rinse**
for wash or flush
- **Finger Tip Gun Control**
short burst or continuous action

MEETS ALL REQUIREMENTS

COMPLETE PACKAGE INCLUDES EVERYTHING TO BEGIN CLEANING:

- **Stainless Steel Mixer Manifold**
with easy grip control valves
- **Steam Siphon Gun**
Deluxe Model, 33" long, or:
Heavy Duty Model, 42" long
- **10' Dual Steam and Detergent Hoses with Fittings**
- **Fiberglass Detergent Tank**
- **Convenient Hose/Gun Hanger**
- **Heat Resistant Gloves**



Simple mixer valve adjustments for steam,
steam and water, and water rinse.

INSTALL SEVERAL THROUGHOUT YOUR PLANT

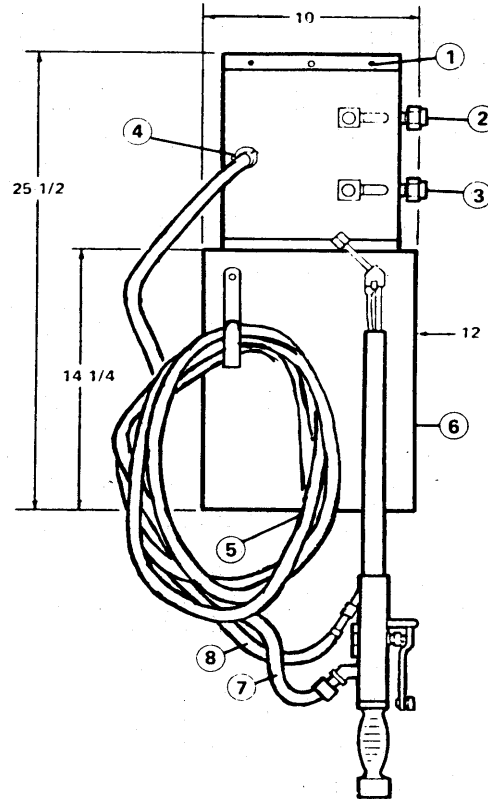
WHEREVER YOU NEED PINPOINT STEAM

IDEAL FOR: FABRICATORS • EQUIPMENT MANUFACTURERS
DAIRIES • FOOD PLANTS • BAKERIES • MEAT PROCESSORS • BOTTLING PLANTS
DEGREASING • PHOSPHATIZING • SANITIZING

TECHNICAL DATA & SPECIFICATIONS (LB SERIES) ELECTRIC STEAM GENERATOR

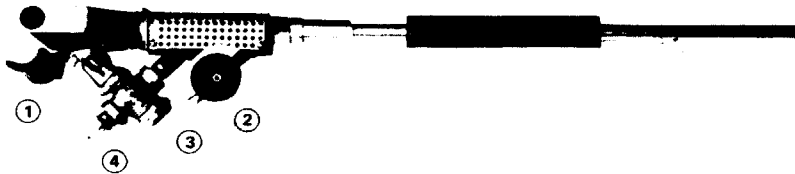
DESCRIPTION

1. Mounting: 7" on centers
2. Water Inlet:
40 psi minimum
1/4" NPT connection (Union)
3. Steam Inlet:
60-80 psi
1/4" NPT connection (Union)
4. Outlet - Steam/Water to gun
5. Detergent Outlet - 1/4" barbed hose fitting
6. Detergent Tank - 2 1/2 gallon
7. Steam Hose - 15/16" dia. double tube butyl reinforced with steel braid.
8. Detergent Hose - 1/2" dia. neoprene double wall construction.

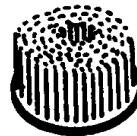


We Reserve The Right To Make Changes Without Prior Notification.

DELUXE MODEL SIPHON GUN
LENGTH: 33" WEIGHT: 41/2 LBS

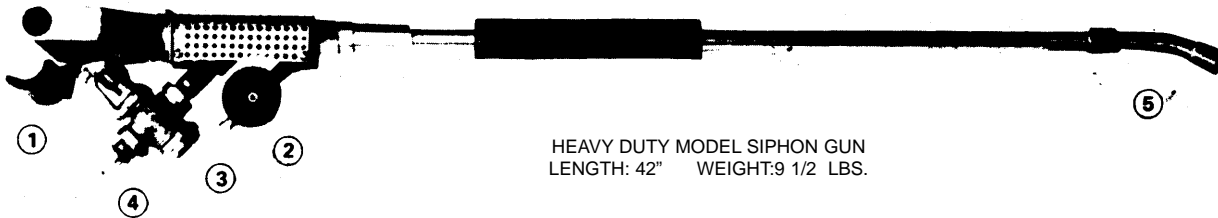


NYLON BRUSH
FURNISHED WITH
DELUXE GUN



EASY OPERATION

1. Finger tip Control of Steam - squeeze action opens valve in front of handle.
2. Detergent Valve - for regulating ration of detergent to be mixed with steam at gun nozzle through siphoning action.
3. Detergent Hose Line - provided with unit. Has strainer on the suction end.
4. Steam Line Connection - from manifold.
5. Special Nozzle Control - providing automatic blending of steam and detergent to provide pin-point pressurized cleaning action.



HEAVY DUTY MODEL SIPHON GUN
LENGTH: 42" WEIGHT: 9 1/2 LBS.



ASME
ETL



Net'l Bd.
PVI

ELECTRO-STEAM GENERATOR CORP.
1000 BERNARD ST. · ALEXANDRIA, VIRGINIA 22314-1299
Call Toll Free: 1-800-634-8177
Fax Toll Free: 1-888-783-2624
PHONE (703) 549-0664 · FAX (703) 836-2581
E-mail: sales@electrosteam.com PHONE (703) 549-0664 · FAX (703) 836-2581
E-mail: sales@electrosteam.com