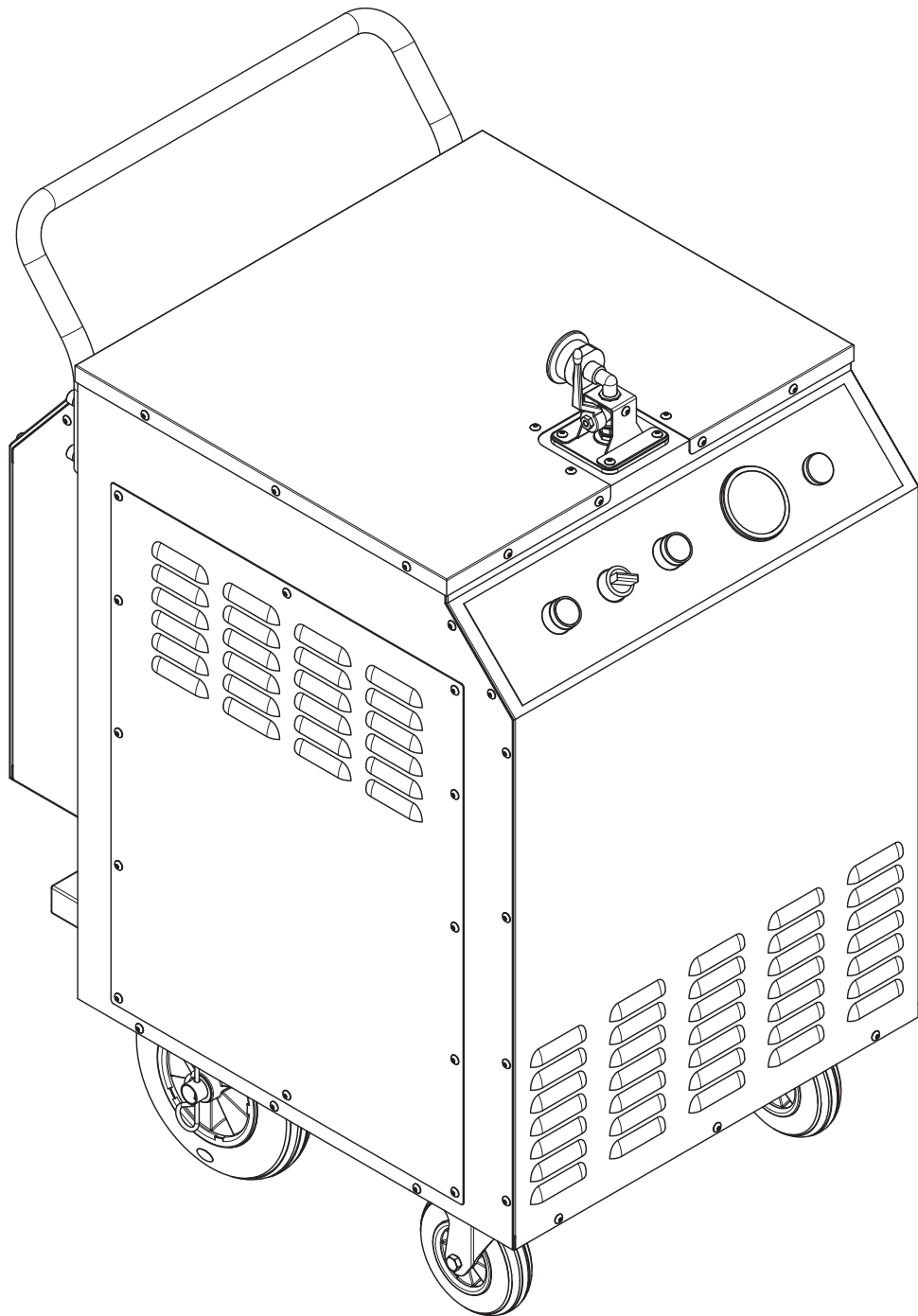
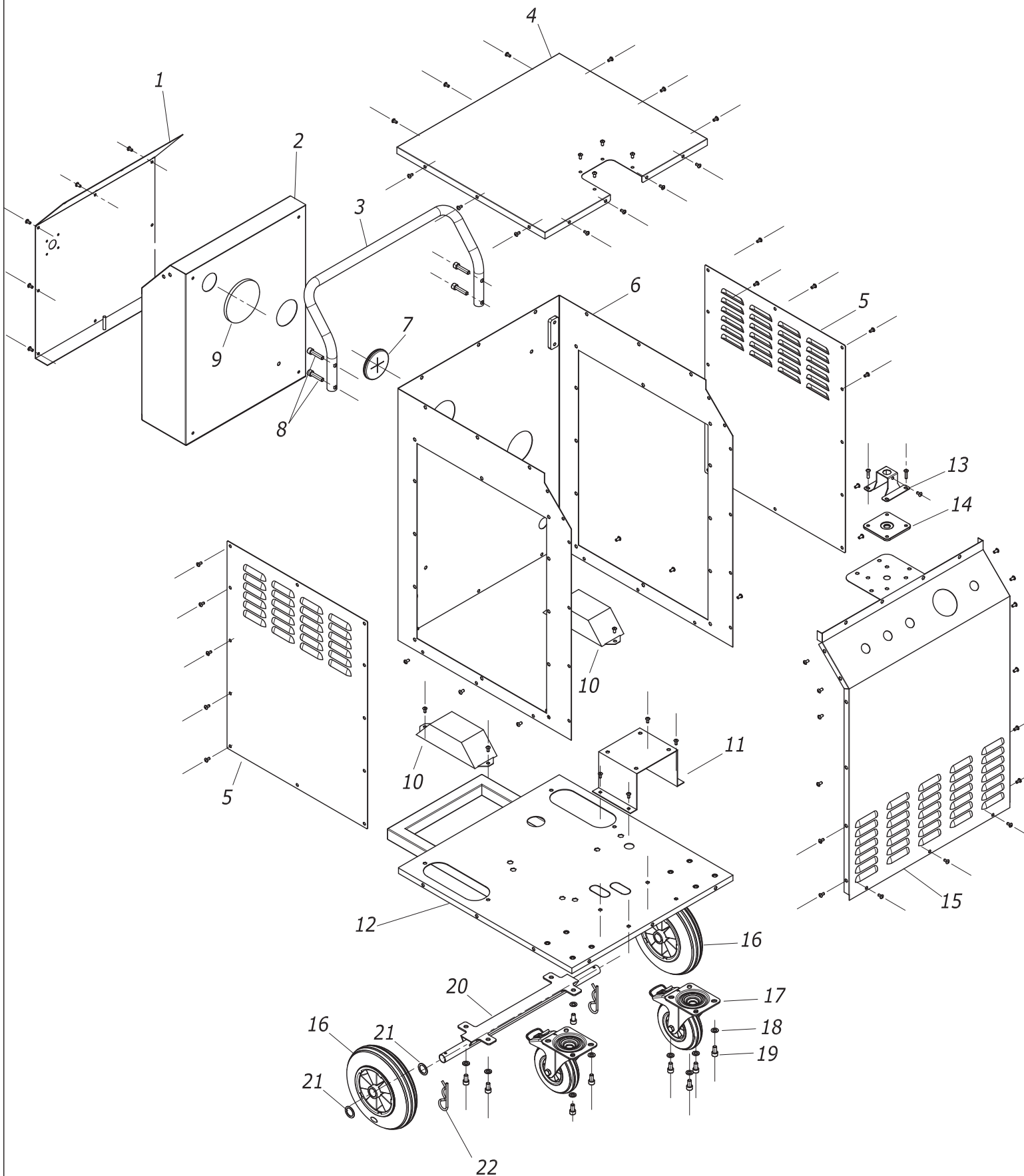


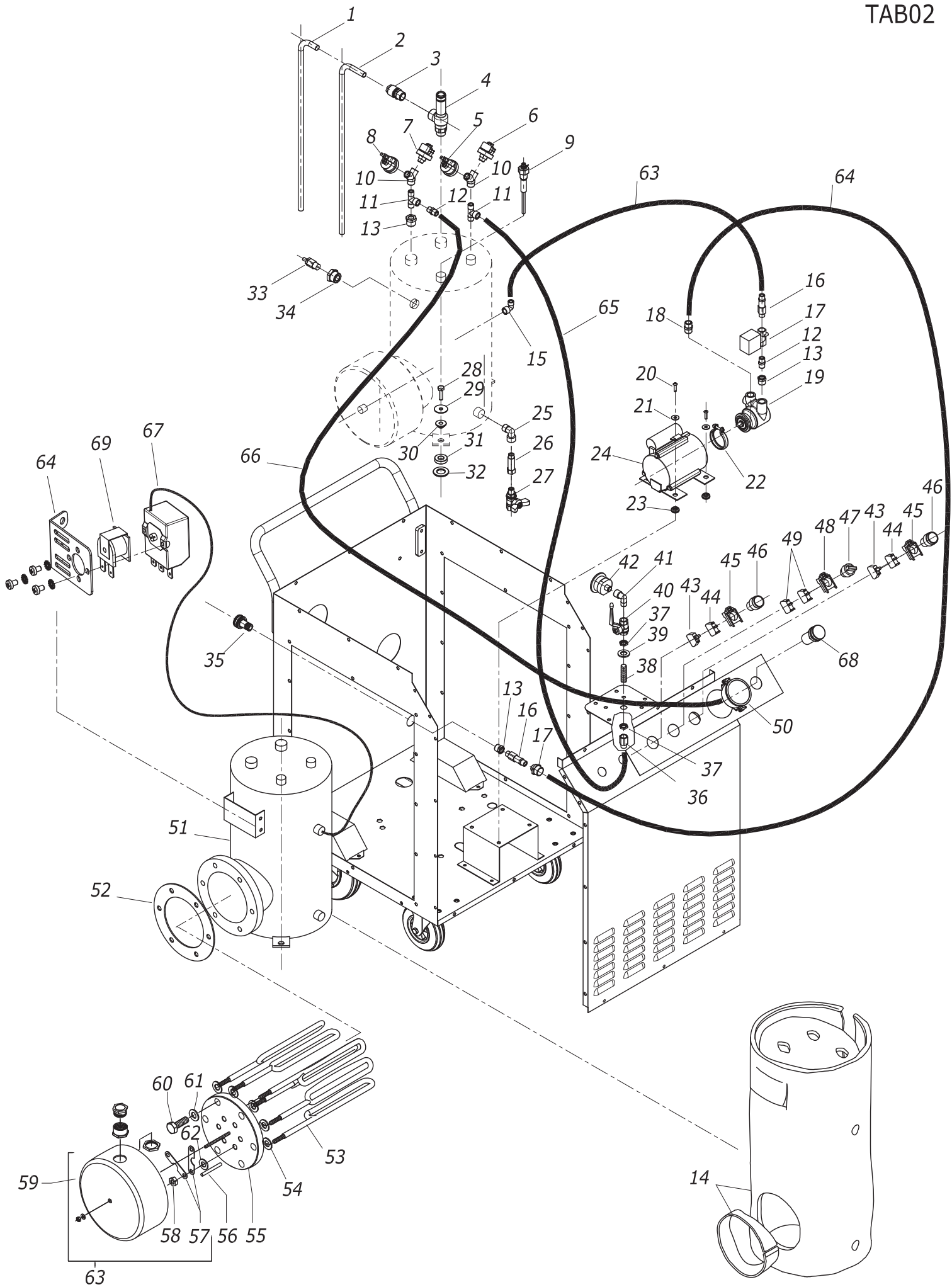
# SPARE PART DRAWING

## IND0120 19KW

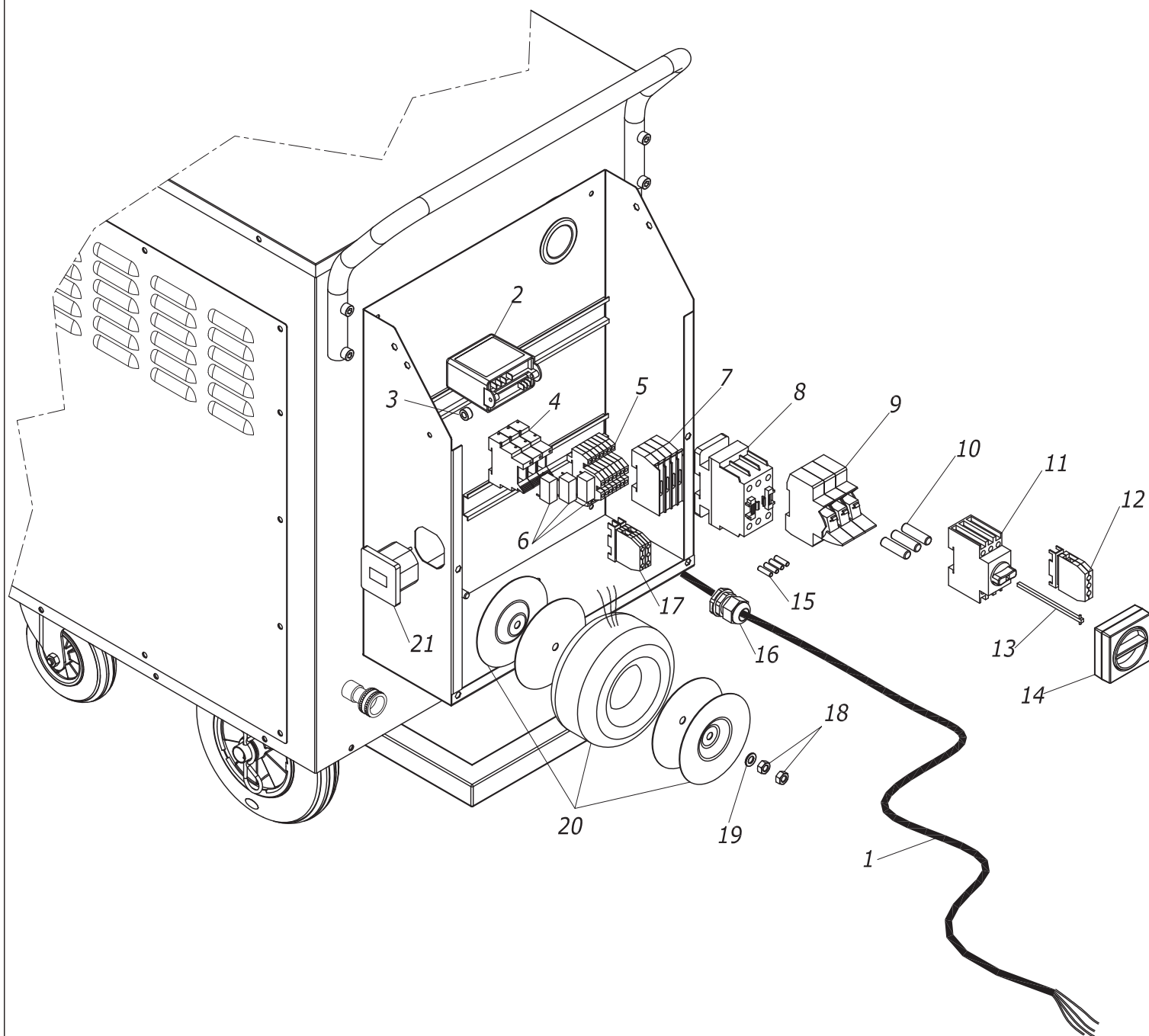




00	07/2021	TAB01	Spare Parts Drawing - BODY ALL VERSION	IND0120
REV	DATA	N°DOC	DESCRIPTION	PRUDUCT COD.



00	07/2021	TAB02	Spare Parts Drawing - COMPONENTS 19KW	IND0120
REV	DATA	N°DOC	DESCRIPTION	PRUDCT COD.



00	07/2021	TAB04	Spare Parts Drawing - ELECTRICAL ALL VER.	IND0120
REV	DATA	N°DOC	DESCRIPTION	PRUDUCT COD.